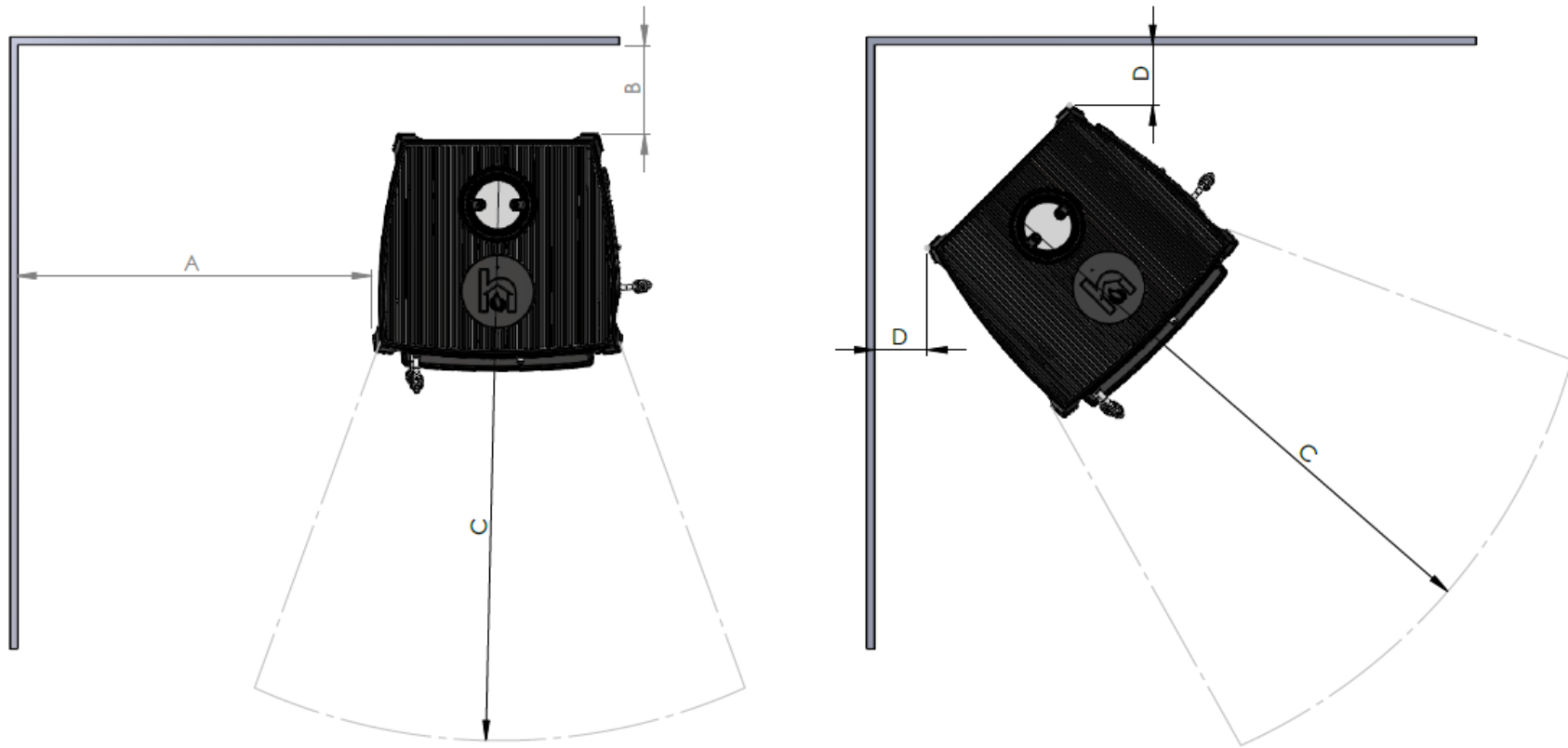


DISTANCE TO FLAMMABLE MATERIAL



Model	A mm	B mm	C mm	D mm	E Overhead mm
8000	1000	500	1000	600	600