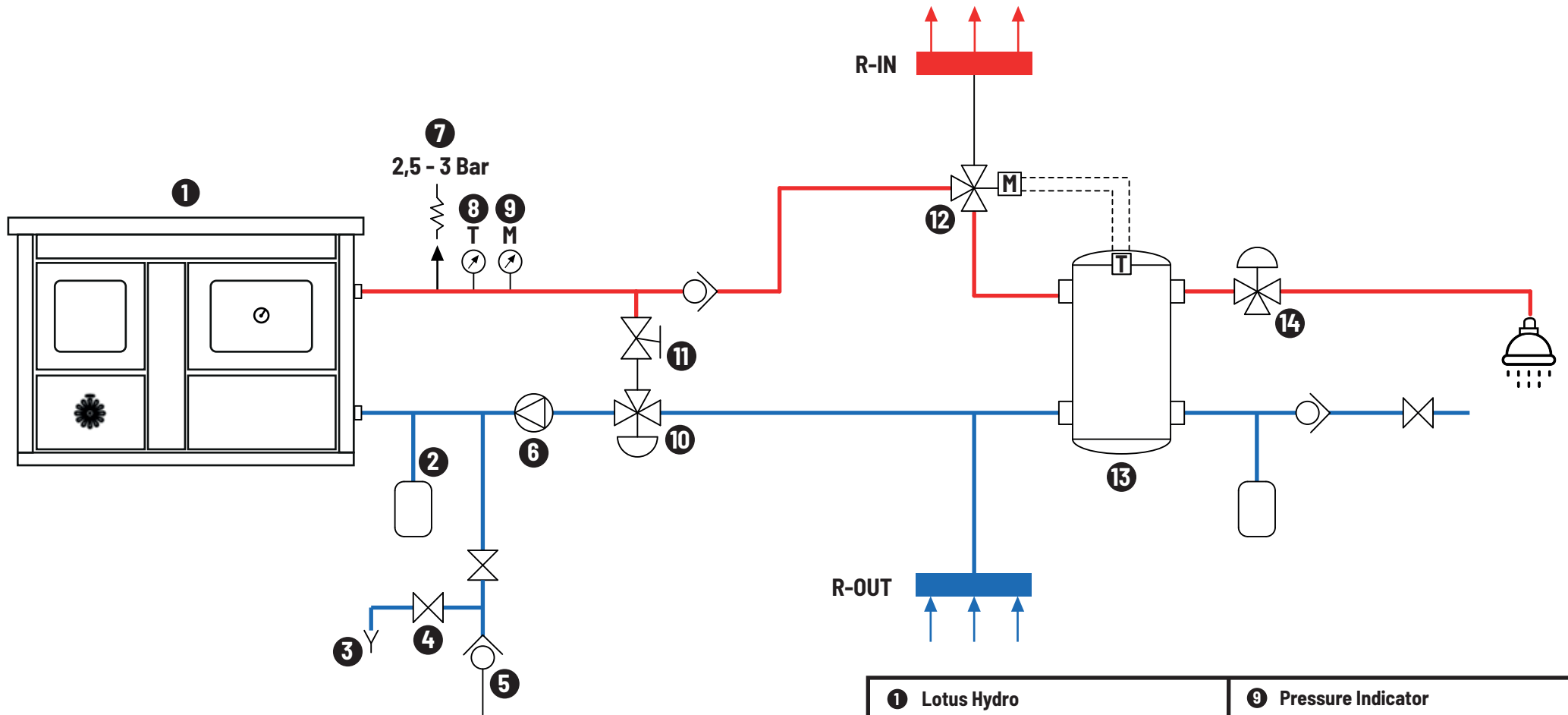


SYSTEM SCHEMA - CLOSE CHAMBER



① Lotus Hydro	⑨ Pressure Indicator
② Close Expansion Vessel	⑩ Anticondensation Mixing Valve
③ Drain Valve	⑪ Hand-Controlled Valve
④ Valve, Manual Shutoff	⑫ Three-Way Control Valve
⑤ Valve, Check	⑬ Boiler
⑥ Pump	⑭ Sanitary Mixing Valve
⑦ Safety Valve	R-IN → Supply Pipe
⑧ Temperature Indicator	R-OUT → Return Pipe